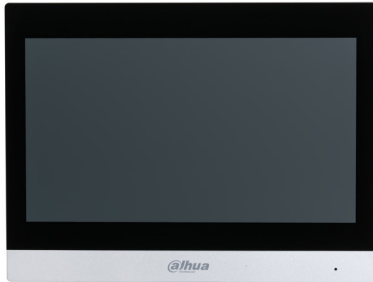


DHI-VTH8A41KMS-W

Digital Indoor Monitor



- Elegant all-screen design
- 10" capacitive touchscreen, 1024 × 600
- Built-in Android OS and flat UI design
- Used with the door station, master station and platform to form a intercom system
- House-to-house communication
- 6-channel alarm input and 1-channel alarm output



Technical Specification

System

Main Processor	Embedded processor
Operating System	Android 8.1
Network Protocol	IPv4; TCP; SIP; UDP; RTSP

Basic

Screen Type	10" full-color TFT
Resolution	1024 (H) × 600 (V)
Audio Compression	G.711a; G.711u; PCM
Audio Input	1-ch omnidirectional microphone
Audio Output	Built-in speaker
Audio Mode	Two-way voice call
Audio Bit Rate	16 kHz, 16 bit

Function

Communication Mode	Full digital
Information Release	Receive and view information released by the management center
DND Mode	Do not disturb period can be set.
Number of Extensions	Villa: 9 Apartment: 4 Wi-Fi intercom: 1 main monitor, 2 extension monitors
Wi-Fi	Yes

Performance

Casing	Alluminum+ ABS
--------	----------------

Port

Alarm Input	6
Alarm Output	1
Network Port	RJ-45 port, 10/150 Mbps self-adaptive

Alarm

SOS	Yes
-----	-----

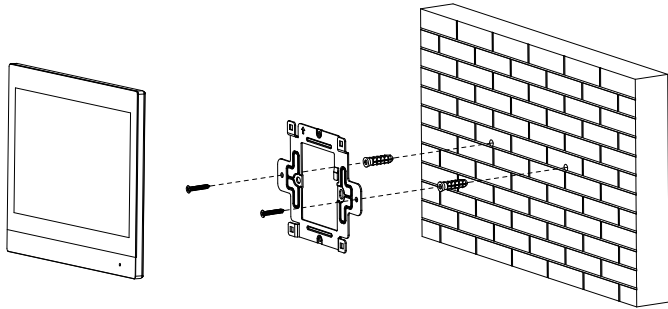
General

Appearance Color	Silver
Power Supply	12–24 VDC, 1 A; Standard PoE
Power Adapter	Not Standard
Installation	Surface
Accessory	Surface mount bracket: Included Alarm ribbon cable: Included Power cord: Included RS-485 and power output ribbon cable: Included SD card: Optional (<64G)
Product Dimensions	190 mm × 250 mm × 23.5 mm (7.48" × 9.84" × 0.93")
Operating Temperature	–10 °C to +55 °C (+14 °F to +131 °F)
Operating Humidity	10%–90% (RH), non-condensing
Power Consumption	≤ 1 W (standby), ≤ 6 W (working)
Gross Weight	0.69 kg (1.52 lb)

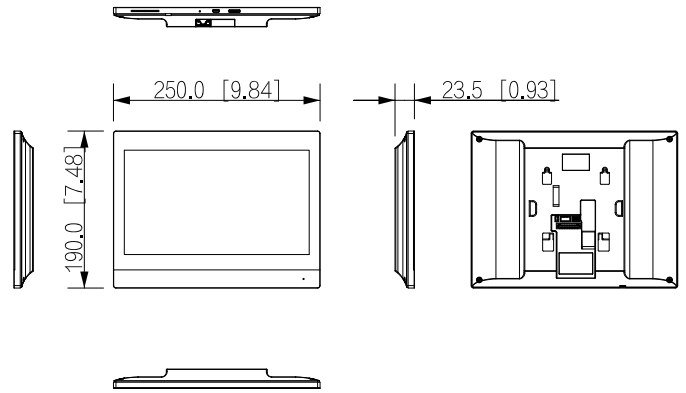
Ordering Information

Type	Model	Description
Indoor Monitor	DHI-VTH8A41KMS-W	Android 10-inch digital indoor monitor DHI-VTH8A41KMS-W

Installation



Dimensions (mm[inch])



Application

