

DH-SD2A300NB-GNY-A-PV

3MP Smart Dual Light Network PT Camera



WizSense

Launched by Dahua Technology, WizSense is a series of AI products and solutions that adopt independent AI chip and deep learning algorithm. It focuses on human and vehicle with high accuracy, enabling users to fast act on defined targets. Based on Dahua's advanced technologies, WizSense provides intelligent, simple and inclusive products and solutions.

System Overview

The Active Defense series of small PT cameras raises the bar on performance. After detecting an intrusion, it triggers sound and light alarms, and then instantly relays vital information on the intrusion to the mobile client, keeping you informed no matter where you are. It supports two-way talk, allowing you to communicate with people in front of the camera in real time. It also can record full-color videos and information of key events using Smart Dual Illuminators, effectively reducing light pollution.

Functions

IVS

With advanced video algorithm, Dahua IVS technology supports intelligent functions, such as tripwire and intrusion.

Smart H.265+ & Smart H.264+

With advanced scene-adaptive rate control algorithm, Dahua smart encoding technology realizes the higher encoding efficiency than H.265 and H.264, provides high-quality video, and reduces the cost of storage and transmission.

- 1/2.8" 3Megapixel CMOS.
- Max. 25/30 fps@3MP.
- Human/vehicle detection.
- Tripwire, intrusion.
- H.265 encoding.
- POE.
- Two-way talk.
- Sound and light alarm.
- IR and white light, three night view modes.
- IP66.



Two-way Talk

With its built-in high-sensitivity microphone and high-power speaker, the camera realizes two-way talk through the mobile app.

Siren and Light Active Deterrence

Dahua siren and light active deterrence network camera supports the white light alarm and voice alarm when perimeter event occurs, to realize the deterrence and effective intervention. The camera is built in one voice, and supports customized voice importing.

Human Detection

Dahua intelligent algorithms extract moving human targets from videos and filters out alarms that are triggered by non-human targets to increase the accuracy and effectiveness of alarms.

Technical Specification
Camera

Image Sensor	1/2.8" CMOS
Pixel	3 MP
Max. Resolution	2304 (H) × 1296 (V)
ROM	128 MB
RAM	128 MB
Electronic Shutter Speed	1 s–1/100,000 s
Scanning System	Progressive
Min. Illumination	0.05 lux@F2.0 (Color, 30 IRE); 0.005 lux@F2.0 (B/W, 30 IRE)
Illumination Distance	30 m (98.43 ft) (warm light); 30 m (98.43 ft) (IR);
Illuminator On/Off Control	Manual; auto; off
Illuminator Number	2 (IR light); 2 (warm light)

Lens

Focal Length	4.0 mm			
Max. Aperture	F2.0			
Field of View	H: 86.8°; V: 47.1°; D: 102.2°			
Close Focus Distance	0.6 m (1.97 ft)			
Iris Control	Fixed			
DORI Distance	Detect	Observe	Recognize	Identify
	53.6 m (175.85 ft)	21.4 m (70.21 ft)	10.7 m (35.10 ft)	5.4 m (17.72 ft)

PTZ

Pan/Tilt Range	Pan: 0° to 345°; Tilt: 0° to +80°
Manual Control Speed	Pan: 0.1°–74°/s; Tilt: 0.1°–36.4°/s
Preset Speed	Pan: 0.1°–62°/s; Tilt: 0.1°–36.3°/s
Preset	300
Power-off Memory	Yes
Idle Motion	Preset

Smart Event

IVS	Tripwire; intrusion
Human Detection	Yes

Intelligence

SMD	SMD3.0
-----	--------

Active Deterrence

Light Warning	Warm light warning; Flash duration: 5 s–30 s; Flash frequency: high, medium, low
Sound Warning	Offers 1 sound alarm and 10 custom sound alarms can be imported; Sound can be set from 0%–100%; Play times can be set from 1-10.

Video

Video Compression	H.264H; H.264B; Smart H.265+; H.265; Smart H.264+; H.264M; MJPEG (Sub Stream 1)
Streaming Capability	2 streams
Resolution	3M (2304 × 1296); 1080p (1920 × 1080); 960p (1280 × 960); 720p (1280 × 720); D1 (704 × 576/704 × 480); CIF (352 × 288/352 × 240)
Video Frame Rate	Main stream: 3M/1080p/1.3M/720p@(1–25/30 fps) Sub stream 1: D1/VGA/CIF@(1–25/30 fps)
Bit Rate Control	CBR/VBR
Video Bit Rate	H264: 88 kbps–8,192 kbps H265: 35 kbps–8,192 kbps
Day/Night	Auto (ICR); Color/B/W
BLC	Yes
WDR	DWDR
HLC	Yes
White Balance	Auto; indoor; outdoor; tracking; manual; sodium lamp; natural light; street lamp
Gain Control	Auto; manual
Noise Reduction	2D NR; 3D NR
Motion Detection	Yes
Region of Interest (RoI)	Yes
Defog	Electronic
Image Rotation	180°
S/N Ratio	≥55 dB

Audio

Audio Compression	PCM; G.711a; G.711Mu; G.726; AAC
-------------------	----------------------------------

Network

Network Port	RJ-45 (10/100 Base-T)
Network Protocol	UDP; FTP; RTMP; IPv6; IPv4; IP Filter; DNS; RTP; HTTP; NTP; SSL; DHCP; RTP; SMTP; HTTPS; TCP/IP; RTSP; DDNS; ARP
Interoperability	RTMP; CGI; SDK; ONVIF (Profile S & Profile T); P2P
Streaming Method	Unicast/Multicast
User/Host	20 (total bandwidth: 64 M)
Storage	Micro SD card (256 GB); FTP
Browser	IE: IE 7 and later versions; Chrome; Firefox; Safari
Management Software	Player; Smart Player; DMSS; ConfigTool; NVR; Smart PSS
Mobile Client	iOS; Android

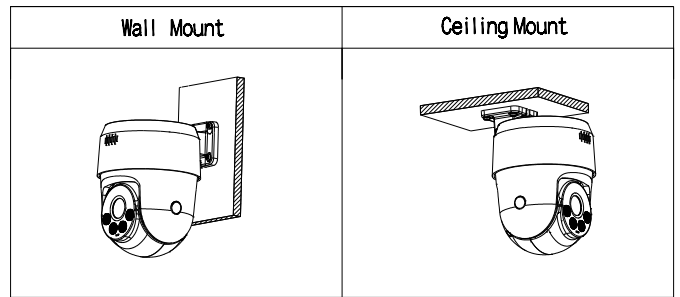
Certification

Certifications	CE: EN55032/EN50130-4/EN IEC61000-3-3/EN IEC61000-3-2/EN55024/EN55035/EN62368-1 FCC: 47 CFR FCC Part15, Subpart B, ANSI C63.4:2014
----------------	---

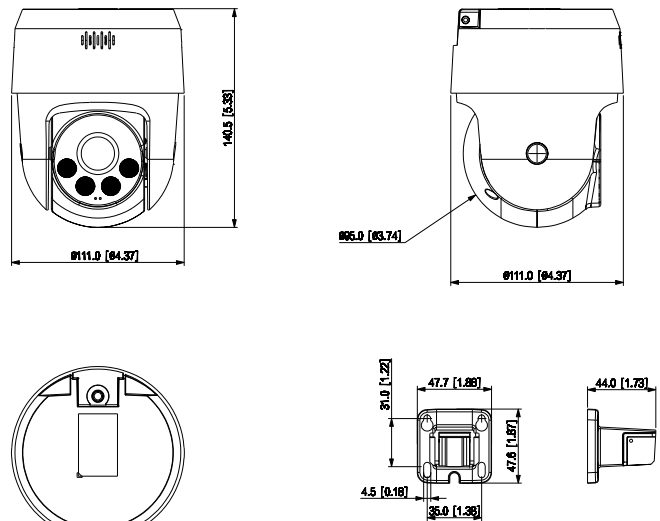
Port

Audio Input	1 channel (built-in mic)
-------------	--------------------------

Audio Output	1 channel (built-in speaker)
Alarm Linkage	Capture; preset; recording; audio; sending email
Alarm Event	Motion/Tampering detection; audio detection; network disconnection detection; IP conflict detection; memory card state detection; memory space detection
Power	
Power Supply	12 VDC/1.5 A ± 10% PoE (802.3af)
Power Consumption	Basic: 3.5 W; Max: 9 W (illuminator)
Environment	
Operating Temperature	-30 °C to +55 °C (-22 °F to +131 °F)
Operating Humidity	≤95%
Protection	Waterproof and Dustproof; TVS 2000 V lightning proof; surge protection; voltage transient protection
Structure	
Product Dimensions	140.5 mm × Φ111.0 mm (5.53" × Φ4.37")
Net Weight	0.5 kg (1.10 lb)
Gross Weight	1 kg (2.20 lb)



Dimensions (mm[inch])



Ordering Information

Type	Model	Description
3MP PT Camera	DH-SD2A300NB-GNY-A-PV	3MP Smart Dual Light Network PT Camera
	SD2A300NB-GNY-A-PV	3MP Smart Dual Light Network PT Camera
Accessories (Optional)	DC 12 V/1.5A	Power Adapter
	PFM900-E	Integrated Mount Tester
	TF-P100	MicroSD Memory Card

Accessories

Optional:



DC 12 V/1.5A
Power Adapter



PFM900-E
Integrated Mount Tester



TF-P100
Power Adapter