

DHI-ASI7214S-W

Dahua Face Recognition, Card Swiping, Password, Fingerprint Face Recognition Access Controller



- 7" LCD with a resolution of 1024 × 600.
- The 2-MP dual-lens CMOS camera and high-performance image sensor ensure accurate recognition even in poor lighting and dark locations that lack illumination.
- Features auto illumination to effectively reduce light pollution.
- Supports 50,000 users (up to 50 administrators), 50,000 faces, 50,000 passwords, 100,000 cards, 10,000 fingerprints and 300,000 records.
- Multiple unlock methods including face, IC card, password, fingerprint and QR code. You can also combine them to create your own personal unlock methods.
- Displays the face bounding box and detects the face that occupies the most pixels in real time. You can also set target face filtering by configuring the face pixel threshold.
- Recognizes faces 0.3 m to 2.0 m away (0.98 ft–6.56 ft), and detects persons between the height of 0.9 m and 2.4 m (2.95 ft–7.87 ft) when the camera is installed 1.4 m above the ground.
- Powered by the face recognition deep learning algorithm, the device can accurately locate over 360 key points on the face of a target.
- Faces can be recognized within 0.2 seconds, without need for the person to touch the device.
- Features face mask detection and safety helmet detection.
- Multiple display modes and voice prompts are available for broadcasting recognition results to protect the privacy of users.
- Features face mask detection and safety helmet detection.
- Liveness detection is used to detect spoof attempt, such as using a photo or video to gain access.
- Offers multiple types of alarms such as duress, tamper, intrusion, unlock timeout, and excessive use of illegal card and password.
- Supports different types of users, including general, patrol, blacklist, VIP, guest and other.
- Supports making video calls with indoor monitors, the master station, and mobile app.
- TCP/IP and Wi-Fi connection, auto registration, P2P registration, and DHCP.
- Supports beautifying faces.
- Recognizes up to 6 faces at the same time.
- Plays advertisements in video and image format.
- Online update and update through USB.
- Connects to DSS Pro and SmartPSS Lite.

Scene

It is widely used in parks, communities, business centers and factories, and ideal for places such as office buildings, government buildings, schools and stadiums.

Technical Specification

System

Main Processor	Embedded Processor
Network Protocol	UDP; TCP; IPv4; RTSP; SIP; P2P; RTP
OSDP Protocol	Yes
Interoperability	CGI; ONVIF
SDK and API	Yes

Basic

Product Type	Standalone
Display Screen	7" LCD
Screen Type	Capacitive Touchscreen
Screen Resolution	600 (H) × 1024 (V)
Camera	2-MP dual-lens CMOS camera
WDR	DWDR
Light Compensation	Auto IR
Voice Prompt	Yes
Casing Material	Tempered glass/PC

Function

Verification Method	Card; remote; password; fingerprint; face; combination unlock
Card Type	IC card
Period List	128 periods

Holiday Period	128 periods
Network Update	Yes
First User Unlock	Yes
Remote Verification	Yes
Restricted List/Trusted List	Yes
Wi-Fi	Yes
Wireless Standard	802.11b/g/n
Wireless Frequency Range	2.400 GHz–2.472 GHz
Advertisement Playing	Support graphic advertisement play
Peripheral Card Reader	Supports 1 × RS-485 card reader; 1 × Wiegand card reader
Multi-user Authentication	Yes
Real-time Monitoring	Yes
Multi-factor Authentication	Yes
Capture Function	Yes
Web Configuration	Yes
Auto Registration	Yes

Performance

Card Reading Distance	0 cm–3 cm (0"–1.18")
Face Recognition Height Range	0.9 m–2.4 m (2.95 ft–7.87 ft)
Face Recognition Distance	0.3 m–2.0 m (0.98 ft–6.56 ft)
Face Recognition Accuracy	99.9%
Face Recognition Time	0.2 s
Fingerprint Sensor Type	Capacitive
Fingerprint Verification Mode	1:N
Fingerprint Comparison Time	1.5 s
Fingerprint Recognition Time	0.5 s
Supported Codes	QR code
Code Type	Electronic code; printed code

User

User (Card) Type	General users, patrol users, blocklist users, VIP users, guest users, custom user 1, custom user 2, and other users
------------------	---

Capacity

User Capacity	50000
Face Image Capacity	50000
Fingerprint Capacity	10000
Card Capacity	100000
Password Capacity	50000
Record Capacity	300000

Port

RS-485	1
RS-232	1
Wiegand	1 (input or output)
USB	1 × USB 2.0 port
Network Port	1 × RJ-45 10/100 Mbps Ethernet port
Alarm Input	2 (digital quantity)
Alarm Output	1 (relay)
Alarm Linkage	Yes
Exit Button	1
Door Status Detection	1
Lock Control	1

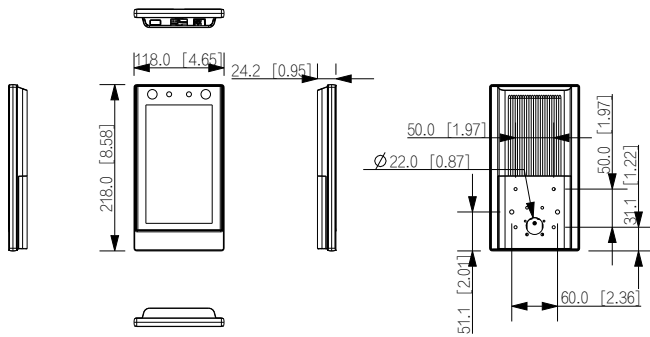
Alarm

Anti-pass Back	Yes
Tamper Alarm	Yes
Duress Alarm	Yes
Door Sensor Timeout	Yes
Intrusion	Yes
Illegal Card Exceeding Threshold	Yes
Duress Fingerprint	Yes

General

Power Adapter	Included
Power Supply	12 VDC, 2 A
Power Consumption	≤24 W
Product Dimensions	218 mm × 118 mm × 24.2 mm (8.58" × 4.65" × 0.95") (H × W × D)
Packaging Dimensions	Carton: 299 mm × 164 mm × 72 mm (11.78" × 6.46" × 2.83") (H × W × D) Protection box: 390 mm × 320 mm × 360 mm (15.35" × 12.60" × 14.17") (H × W × D)
Operating Temperature	–20 °C to +55 °C (–4 °F to +131 °F)
Operating Humidity	0%–90% (RH), non-condensing
Operating Altitude	0 m–1,300 m (0 ft–4,265.09 ft)
Operating Environment	Indoor
Gross Weight	0.67 kg (1.48 lb)
Accessory	Included: Wall mount bracket
Installation	Turnstile Mount; 86 case mount; wall; floor bracket mount

Dimensions (mm[inch])



Application

